



THE 6

THE BMW 6 SERIES GRAN TURISMO.



26 Highlights



38 Worlds of colour

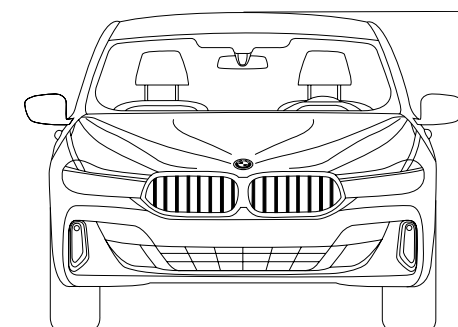


37 Original BMW Accessories

DISCOVER MORE.



Scan the code to get more information and more driving pleasure on the new BMW 6 Series.



42 Technical data



LUXURY.
FOR SOME, IT IS TRADITION.



A RULEBOOK THAT DICTATES
WHAT CAN BE DONE.
AND WHAT CANNOT.







FOR OTHERS, IT'S
A CHALLENGE.



TELLING US WHAT HAS BEEN DONE.
AND WHAT IS YET LEFT TO DO.





BECAUSE ONLY ONCE YOU MASTER
THE RULES OF LUXURY,
CAN YOU TRULY RECREATE IT.

THE new 6.
LUXURY RECRAFTED.



DYNAMICS AND EFFICIENCY.

▶ BMW EFFICIENTDYNAMICS. ◀
LESS EMISSIONS. MORE DRIVING PLEASURE.



MORE DRIVING PLEASURE, LESS EMISSIONS.

BMW EfficientDynamics is a technology package that includes not only the drive, but rather the whole vehicle concept and intelligent energy management. Provided as standard in every BMW, a variety of innovative technologies contribute to continuously improving efficiency.



MORE SPEED, LESS WEIGHT.

BMW EfficientLightweight showcases the ultimate in efficient, dynamic driving. Thanks to the intelligent use of especially lightweight and stiff materials - such as aluminium in the chassis, high strength steel in the body or ultra modern magnesium alloys in the engine - fuel consumption is reduced, while driving performance and dynamics are improved.



AERODYNAMICS.

With targeted measures focusing on Aerodynamics, BMW has optimised drag coefficient and efficiency as well as interior acoustics. The Active Air Stream Kidney Grille, the Air Breather and the Air Curtain on the front wheels are all targeted and detailed measures to further reduce air resistance.



START-STOP FUNCTION.

The Start-Stop function enhances fuel efficiency by switching off the engine when the vehicle comes to a temporary standstill. Once the brake pedal is released, the engine starts up again almost instantly.



MORE POWER FROM LESS FUEL.

Consume less, experience more – the BMW TwinPower Turbo Engines offer the greatest possible dynamic performance with the greatest possible efficiency, thanks to the newest injection systems, variable output control and sophisticated turbocharger technology.



DRIVING EXPERIENCE CONTROL.

The Driving Experience Control offers the driver the choice between the COMFORT Mode, COMFORT+ Mode, ECO PRO Mode and SPORT Mode. The new interactive function, ADAPTIVE Mode, continuously adjusts the Dynamic Damper Control, the steering and the steptronic transmission to suit the current driving situation.



With **BMW Gesture Control**, selected functions can be operated by means of defined hand movements. Simple gestures such as 'swiping' or 'pointing' are identified in the recognition area above the centre console and trigger functions such as accepting or rejecting an incoming telephone call, proceeding or cancelling navigation as well as starting and ending voice recordings.



The newly developed interface design of **BMW Live Cockpit Professional with Navigation** makes using the infotainment system in the BMW 6 Series Gran Turismo easier, more lucid and intuitive with the latest BMW Operating System 7.0. The 31.2 cm (12.3") LCD display has Touch Functionality, configurable home screen, 3D Maps and can also be operated through iDrive Touch Controller, and Voice Control.



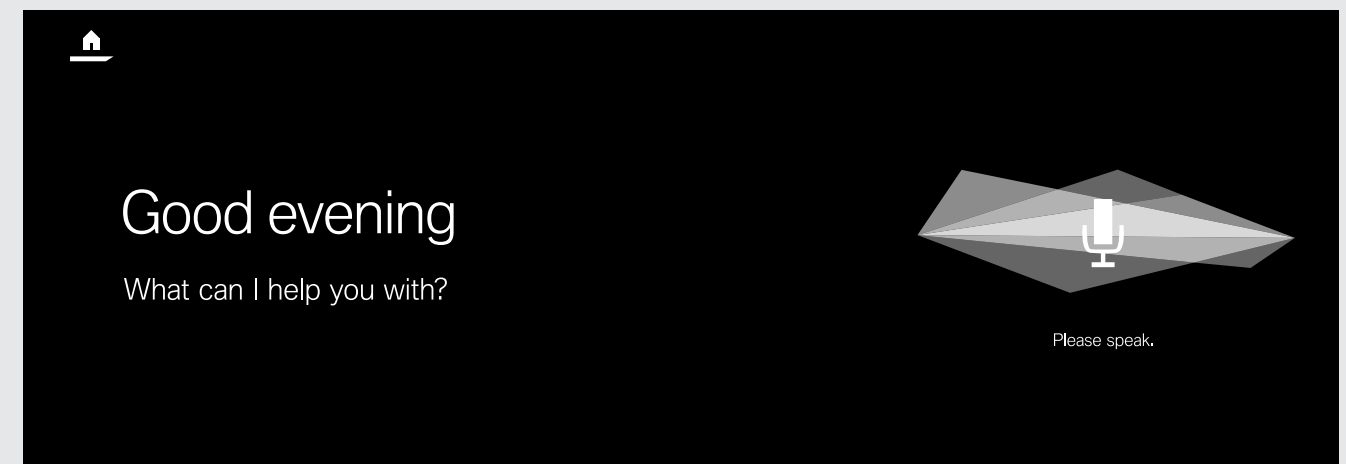
Parking Assistant with Surround View Camera and Reversing Assistant makes parking and manoeuvring the vehicle easier. The Parking Assistant with linear guidance parks the vehicle automatically, parallel or perpendicular to the street. Surround View includes the camera-based functions like Rear View Camera, Panorama View, Top View and 3D View. The cameras in the exterior mirrors as well as at the front and rear of the vehicle allow for a 360° all-around view.



The newly designed **Instrument Display** with Black Panel technology and a screen diagonal of 31.2 cm (12.3") provides a highly impressive visualisation of the driving experience. The different modes and their specific displays – each of which has its own colour scheme and graphic style – can be displayed in the instrument cluster.



Preparation for **Apple CarPlay**^{1, 2}/Android Auto supports the convenient and wireless use of selected iPhone®/Android phone functions in the vehicle. This allows smartphone content and functions such as music, iMessages/text messages, telephony, Siri/Google Assistant and selected third-party apps to be displayed and operated via the vehicle's user interface and via voice control.



'Hello, BMW. Who are you?' Wouldn't it be incredible if your BMW acted like your personal assistant? Communicate in a new and easy way with your vehicle using the BMW Virtual Assistant. It understands you, and helps out whatever the situation. It can explain everything about your vehicle and helps you get better acquainted with your BMW. You can even assign your own personal activation word.

¹ Apps available on Apple CarPlay® is dependent on country specific offer by Apple.

² The compatibility and range of functions from Apple CarPlay® depend on the model year and the software installed on the iPhone®. When the Apple CarPlay® preparation is used, selected vehicle data is transferred to the phone. The mobile phone manufacturer is responsible for further data processing.



The **8-Speed Steptronic Sport Transmission** offers incredibly sporty gear changes. In addition to automatic gear selection, dynamic gear changes can also be done manually via the gear lever or gear shift paddles - its range is perfect for everything from comfortable coasting to very dynamic driving style.

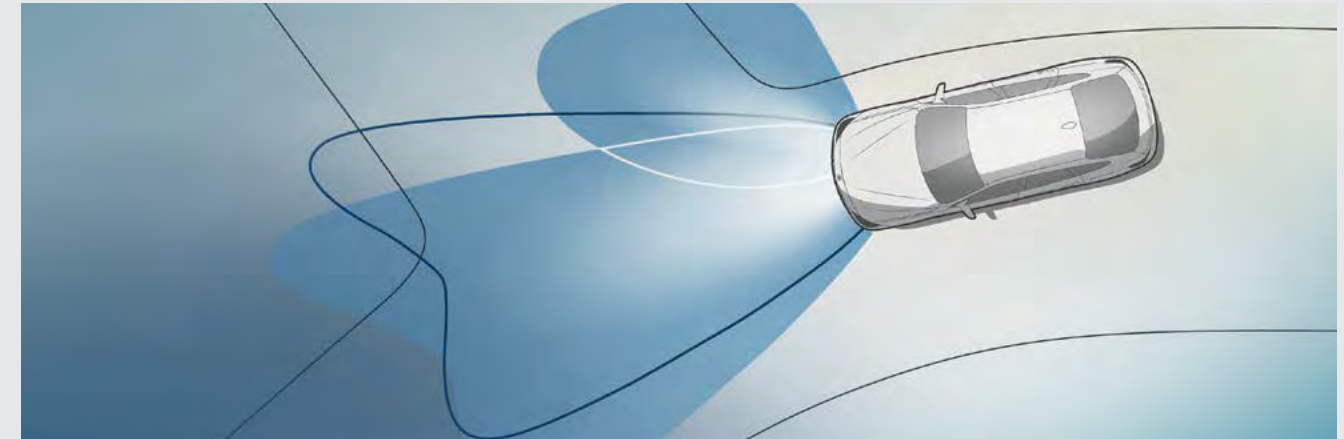
In SPORT mode and with the gear lever in the left-hand S/M position, the gear shifts are configured for maximum performance. The Launch Control function permits maximum acceleration from standing start.

The 8-Speed Steptronic Sport Transmission works together with the engine to deliver smooth gear shifts and highly convincing figures in efficiency, power delivery and shift comfort.

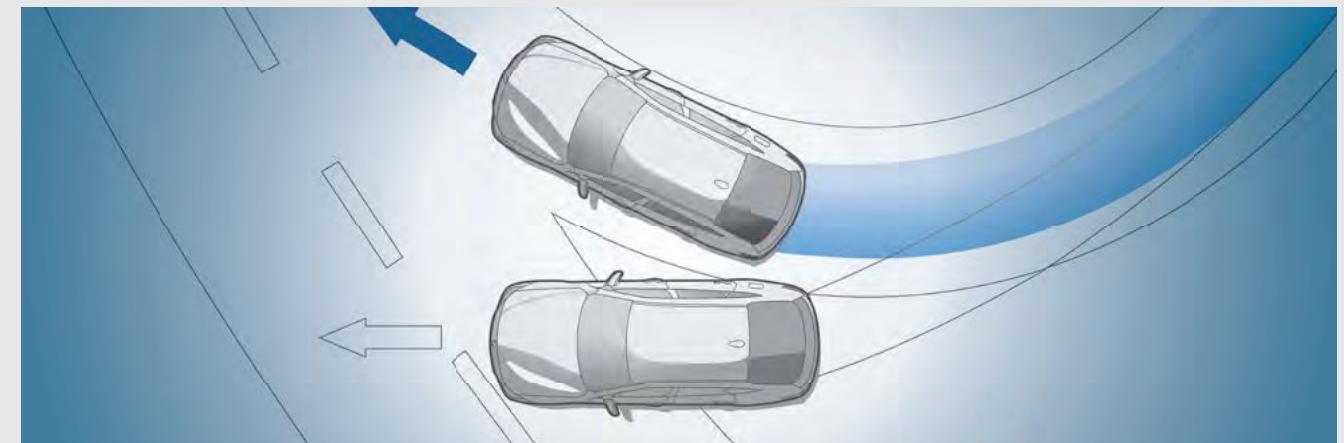
The **Adaptive 2-Axle Air Suspension** ensures extremely comfortable driving and suspension dynamics. The driving dynamics also benefit from the perfectly consistent elevation, even if the vehicle is fully loaded.

Unlike steel suspension, air suspension consists of air-filled rubber pads whereby the pressure inside the pads is continually adjusted to the driving situation.

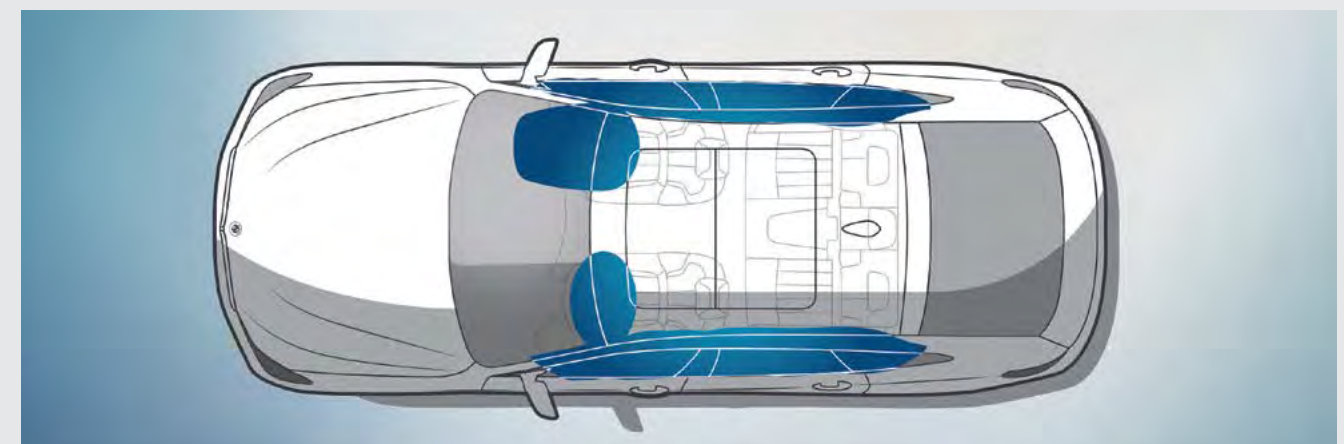
Additionally, vehicle can be raised by 20 mm using a separate control unit at speed of up to 35 km/hr. In order to reduce air resistance and lower the car's centre of gravity, the vehicle is automatically lowered in Sport mode or when traveling at high speed.



The **Adaptive LED Headlights** ensures optimum illumination and visibility in every driving situation significantly improving active safety. In addition to indicators and daytime running lights, it includes the Adaptive headlight function with variable city and motorway light distribution, cornering lights as well as BMW Selective Beam which automatically switches between the low and high-beam lights. The system ensures ideal illumination of the road whatever the conditions and consumes less energy than conventional light systems thanks to its LED technology.



Dynamic Stability Control (DSC) permanently assesses the vehicle's movements and stabilises it using engine and braking regulation when unstable driving conditions are detected. Additional features of DSC are, for example, brake drying, braking readiness or the Hill-Start assistant, which holds the vehicle briefly in place when starting on inclines to prevent it from rolling backwards.



Airbags for driver and front passenger are part of the optimally coordinated safety components in a BMW. Overall, six airbags provide targeted protection: the driver and front passenger airbags, the head airbags for the entire window surface on the side and the side airbags integrated into the front seat backrests.

EQUIPMENT HIGHLIGHTS.



The Active Rear Spoiler automatically extends at a speed of over 110 km/h and retracts once the speed returns to 70 km/h in order to improve stability.



In laser high-beam mode, BMW Laserlight illuminates a range of up to 650 m, nearly twice as far as that of conventional headlights. Better visibility in the dark significantly increases safety. Blue accents and the lettering "BMW Laser" in the headlight also underline the technological standards and the sportiness of the vehicle.



The Welcome Light Carpet function illuminates the area in front of the car doors in white, creating an elegantly hospitable impression. Ambient light creates a relaxed, cosy lighting atmosphere in the interior, and features vicinity illumination in the exterior door handles. There are eleven predefined light designs available in six different colours, with contour and ambient lighting on the instrument panel, door trim and centre console.



When open, the Panorama glass roof provides a great deal of fresh air. And when closed, it creates a bright, light-flooded atmosphere in the interior. It opens and closes completely automatically at the push of a button, or remotely, and is equipped with slide and lift functions, roller sunblind and wind deflector.



The doors with frameless windows convey lightness, creating a distinctly dynamic and elegant appearance reminiscent of a coupé.



The rear lights with lighting elements in LED technology consist of individual high-performance LED lighting elements and have the characteristic, striking BMW L-shape, meaning that the vehicle is clearly recognisable as a BMW even in the dark.

HIGHLIGHTS.

Discover even more with the new BMW Brochures app. Available now, for your smartphone and tablet.



The **Adaptive 2-Axle Air Suspension** ensures extremely comfortable driving and suspension dynamics. The driving dynamics also benefit from the perfectly consistent elevation, even if the vehicle is fully loaded. Additionally, vehicle can be raised by 20 mm using a separate control unit at speed of up to 35 km/hr. In order to reduce air resistance and lower the car's centre of gravity, the vehicle is automatically lowered in Sport mode or when traveling at high speed.



Rear-seat entertainment Professional* includes two separate 10.2" colour screens that can be tilted and a Blu-ray drive. This makes it possible to use the navigation system or access online features while on the road. Features operation via touch on the display, USB port and ports for MP3 players, games consoles and headphones (also wireless).



The Automatic air conditioning with 4-zone control allows individual climate comfort for you and your front passenger, as well as for the right and left rear passengers.



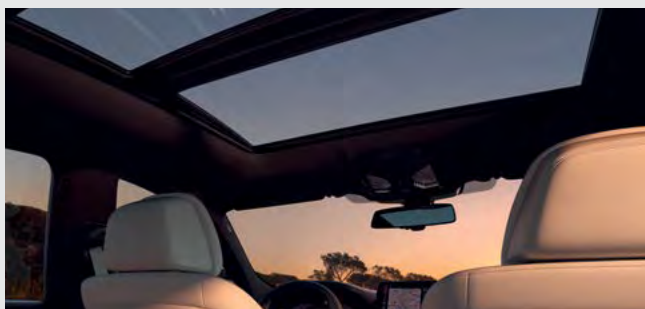
Using the lever on the right or left seat in the rear, the angle of the respective backrest can each be adjusted up to 9 degrees forwards or backwards. So passengers in the rear can achieve their ideal seat position.



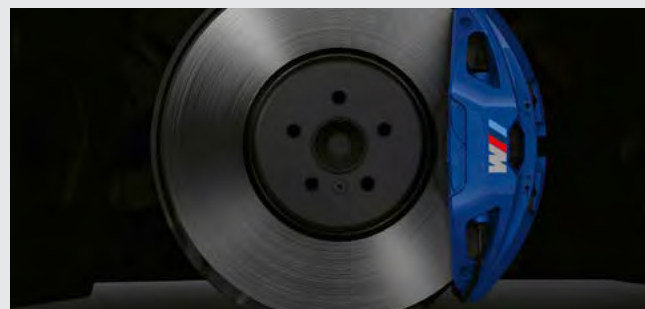
Harman Kardon Surround System offers supreme listening pleasure and a magnificent driving sensation, merging into one unique experience. Sixteen active speakers with a total of 464 watts produce music in brilliant quality.



Ambient light, including Ambient contour lighting in the front and rear doors, creates a relaxed, cosy lighting atmosphere in the interior. The six dimmable lighting designs also include a dynamic function in four applications. The Welcome Light Carpet illuminates the area in front of the vehicle doors when entering and exiting.



When open, the Panorama glass roof provides a great deal of fresh air. Closed, it creates a bright, light-flooded atmosphere in the interior. It opens and closes completely automatically at the push of a button or with the vehicle key, and is equipped with slide and lift functions, roller sunblind and wind deflector.



The high-performance M Sport brake is distinguished by exclusive blue high-gloss brake callipers with M designation and outstanding braking performance.



The Automatic Tailgate opens and closes at the press of a button from within the vehicle, as well as with the vehicle key. An additional button for closing the tailgate is located on its exterior.



The comfort access system makes it possible to open all four vehicle doors, including the luggage compartment, without using the key. This equipment option includes contactless opening and closing of the tailgate with a quick wave of the foot under the rear bumper.

¹ Function may be limited in darkness, fog or bright glare.

The availability of some equipment features and functions depends on engine variants or additional options. The market and production availability may vary. You can find detailed information about terms, standard and optional equipment at www.bmw.com or at your BMW Partner.

EQUIPMENT HIGHLIGHTS.



Electrically adjustable Rear Seats with added comfort; Headrest with comfort cushions in Alcantara. Seats upholstered in Natural Leather 'Dakota' and Exclusive Leather 'Nappa' with Diamond Stitching.



The instrument panel in Sensatec lends the interior of the vehicle a highly exclusive atmosphere. The artificial leather is applied directly to a semi-rigid foam and features an impressively soft surface.



The electric Roller Sunblind for side window provides protection against strong direct sunlight and help prevent the interior from heating up too quickly.



The BMW Display Key shows various information about the vehicle's status and allows selected functions to be controlled with an integrated touch display, including the Remote Control Parking.



The Through-loading system consists of rear seat backrests that are divided in a 40:20:40 ratio, guaranteeing more flexibility when transporting people and objects. With all seats folded, luggage compartment capacity increases from 600 litres to 1800 litres.

¹ Apps available on Apple CarPlay® is dependent on country specific offer by Apple.

² The compatibility and range of functions from Apple CarPlay® depend on the model year and the software installed on the iPhone®. When the Apple CarPlay® preparation is used, selected vehicle data is transferred to the phone. The mobile phone manufacturer is responsible for further data processing.

EQUIPMENT HIGHLIGHTS.



The Remote Control Parking function allows the driver to conveniently get out of the vehicle before parking it via remote control by moving it forward into, or reversing out of a tight parking space or garage. The Remote Control Parking function is activated by the driver once outside the car, with the BMW display key.



Comfort Seats for driver and front passenger include active headrests and can be adjusted electrically in various ways. Lumbar support and memory function for driver and front passenger provide a perfect seating position.



Telephony with wireless charging¹ includes a wireless charging dock and additional USB ports. A roof aerial connection improves mobile reception. Two mobile telephones and an audio player can be connected simultaneously via Bluetooth.



Effortless and quiet: soft close automatic ensures that the doors are securely closed with a minimum of exertion and without unpleasant noise.



The Surround View system makes parking easier by making the area around the car visible with Top View, a Panorama View with automatic activation as well as a 3D View.

¹ Supports inductive charging for Qi-compatible mobile phones. Special charging cases are available from Original BMW Accessories for selected smartphones that do not support the Qi standard for inductive charging.



Luxury Line interior equipment:

- Door sill finishers in Aluminium, illuminated with 'Luxury Line' lettering
- Seats in 'Dakota Leather' with line-specific stitching and leather piping
- Sport leather steering wheel with multifunction buttons
- Car key with buttons and Chrome detailing in High-Gloss
- Interior trim finishers in fine-wood trim, 'Fineline' Ridge with highlight trim finisher in Pearl Chrome
- Instrument panel in Sensatec
- Galvanic embellisher for controls

Luxury Line exterior equipment:

- BMW Kidney Grille with vertical slats and grille frame in Chrome High-Gloss
- Front bumper with specific design elements in Chrome High-Gloss
- LED fog lights
- Side window surrounds in Chrome High-Gloss
- B-pillar, mirror base and mirror foot in Black High-Gloss
- Rear bumper with specific horizontal design elements on the rear diffuser in Chrome High-Gloss
- Tailpipe trim in Chrome High-Gloss, circular on both sides
- 18" light alloy wheels V-spoke style 684



M Sport interior equipment:

- M door sill finishers, illuminated
- Comfort seats in 'exclusive Nappa Leather' with line-specific stitching and leather piping
- M Leather steering wheel with multifunction buttons
- BMW Individual headliner anthracite
- Car key with exclusive M logo
- Interior trim finishers in fine-wood trim, 'Fineline' Cove with highlight trim finisher in Pearl Chrome
- Instrument panel in Sensatec
- Galvanic embellisher for controls

M Sport exterior equipment:

- BMW Kidney Grille with vertical slats in Black High-Gloss and grille frame in Chrome High-Gloss
- M Aerodynamics package with front apron, side skirts and rear apron with diffuser insert in Dark Shadow metallic
- M logo on the front side panels
- Side window surrounds, window recess finisher, B-pillar, mirror base and mirror foot in Black High-Gloss
- M Sport brake with brake callipers in Dark Blue metallic and M logo
- Tailpipe trim in Chrome, trapezoidal on both sides
- 19" M light alloy wheels Double-spoke style 647 M with mixed tyres

ORIGINAL BMW ACCESSORIES.

AS A PROUD BMW OWNER, ACCESSORIES ARE CUSTOMISED TO YOUR OWN INDIVIDUAL TASTE. NOW YOU CAN FURTHER ENHANCE YOUR DRIVING PLEASURE WITH ORIGINAL BMW ACCESSORIES AND PERSONALISE YOUR 6 SERIES GRAN TURISMO FOR A GREATER LEVEL OF LUXURY. CHOOSE FROM OUR WIDE RANGE OF ACCESSORIES SPECIALLY DESIGNED FOR THE INTERIOR, EXTERIOR, ENTERTAINMENT, CONNECTIVITY, TRAVEL AND COMFORT TO SUIT YOUR INDIVIDUAL NEEDS.





BMW Exterior Mirror Cap in Carbon Fibre.
The striking carbon fibre exterior mirror caps underscore the vehicle's high-tech pedigree, adding an individual athletic touch.



BMW Kidney Grille, Black.
The High-Gloss Black Kidney Grille gives the front of the car an even more dynamic and athletic look. The glossy black surrounds make the air inlet appear more striking and bigger than ever.



BMW Retrofit Sports Brake. The powerful M Performance brake system features ventilated lightweight sport brake discs. They are equipped with four-piston aluminum fixed-caliper brakes in front and one-piston aluminum floating-caliper brakes in the rear.



BMW Side Films in Frozen Black. The Side Films in Frozen Black perfectly complement the vehicle's design, underscoring its individual, athletic profile. With coloured BMW M Performance lettering.



BMW Key Case in Alcantara/Carbon Fibre.
The key case's material mix of carbon fibre and Alcantara is highly captivating. With accents in BMW M Blue.



20" M Double-Spoke Light alloy wheel 648 M



19" M Double-Spoke Light alloy wheel 647 M, Ferric Grey



BMW Wireless charger. The BMW Wireless Charging Station Universal allows smartphones to be charged comfortably and efficiently without a cable, any time and anywhere.



BMW All-Weather Floor Mats. The perfectly fitted, durable all-weather floor mats with a raised border and elegant design protect the front and rear footwell from moisture and dirt. They are Black and feature a Black inlay.



BMW Fitted Luggage Compartment Mat. The anti-slip, waterproof and durable mat with a border helps protect the luggage compartment.



BMW Advanced Car Eye 2.0. A highly sensitive full-HD camera that captures events in front and behind the car, even when it is parked. In the event of disturbances and extraordinary movement outside the vehicle, the camera automatically records the situation in order to document possible accidents or (attempted) break-ins.

WHEELS AND TYRES.



19" Light alloy wheel Multi-Spoke 644, Ferric Grey



19" Light alloy wheel V-Spoke 685, Orbit Grey



18" Light alloy wheel Multi-Spoke 619, Reflective Silver

EXTERIOR COLOURS.

Discover even more with the new BMW Brochures app. Available now, for your smartphone and tablet.

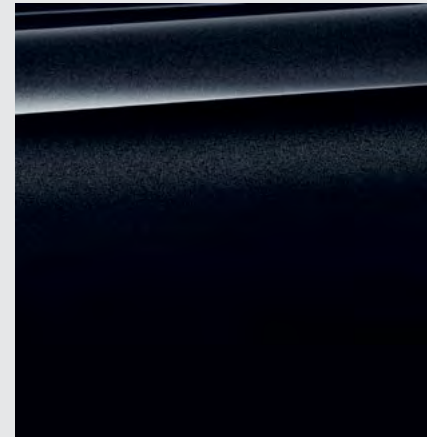
■ Standard equipment □ Optional equipment



Mineral White

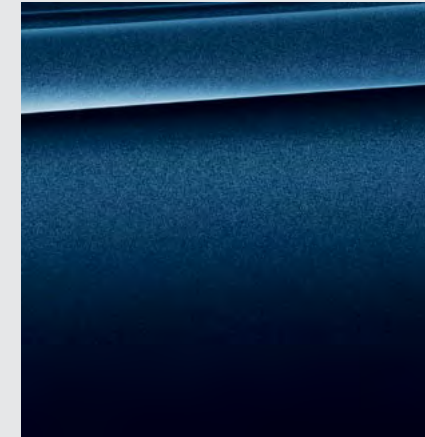


Bernina Grey Amber Effect



Black Sapphire

BMW INDIVIDUAL

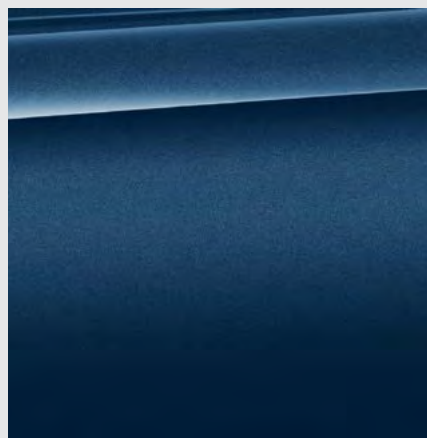


BMW Individual
Tanzanite Blue metallic

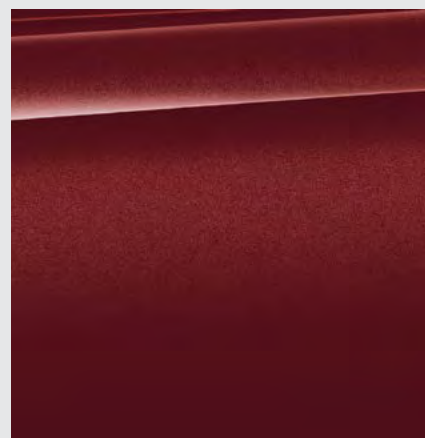
M SPORT PACKAGE



Carbon Black¹



Phytonic Blue



Piemont Red

[Colour samples] These colour samples are intended as an initial guide to the colours and materials available for your BMW. However, experience has shown that printed versions of paint, upholstery and interior trim colours cannot in all cases faithfully

reproduce the appearance of the original colour. Please discuss your preferred colour choices with your BMW partner or in your dealership. There you can also see original samples and be assisted with special requests.

¹ Exclusively available for the M Sport package.

The availability of some equipment features and functions depends on engine variants or additional options. The market and production availability may vary. You can find detailed information about terms, standard and optional equipment at www.bmw.com or at your BMW Partner.

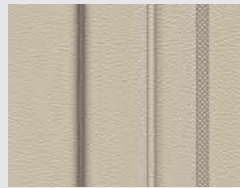
■ Standard equipment

LEATHER

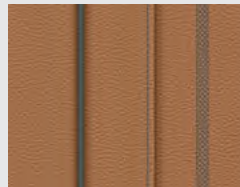
Available with
630i GT M Sport
620d GT Luxury Line



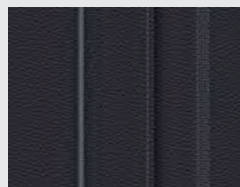
Leather 'Dakota'
LCSW Black



Leather 'Dakota'
LCFI Ivory White
exclusive stitching/
leather piping in
contrast

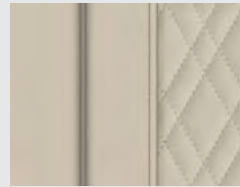


Leather 'Dakota'
LCRO Cognac
exclusive stitching/
leather piping in
contrast

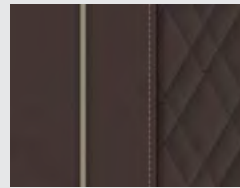


Leather 'Dakota'
LCFK Black
exclusive stitching/
leather piping in
contrast Black

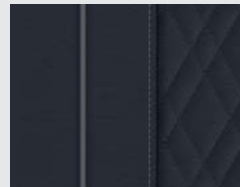
Available with
630d M Sport



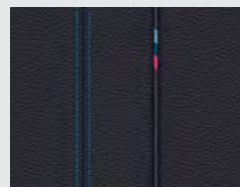
Exclusive leather
'Nappa' LZFI Ivory
White exclusive
stitching/leather
piping in contrast



Exclusive leather
'Nappa' LZNI Macha
exclusive stitching/
leather piping in
contrast



Exclusive leather
'Nappa' LZFK Black
exclusive stitching/
leather piping in
contrast



Leather 'Dakota'
LCNL Black, contrast
stitching blue

INTERIOR TRIM FINISHERS

Available with
630i GT M Sport
620d GT Luxury Line



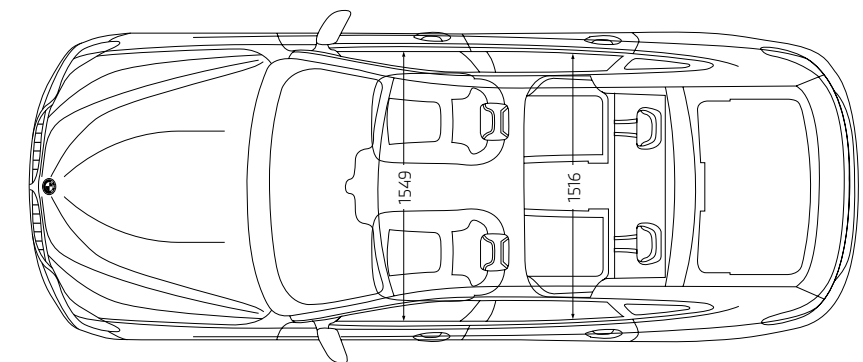
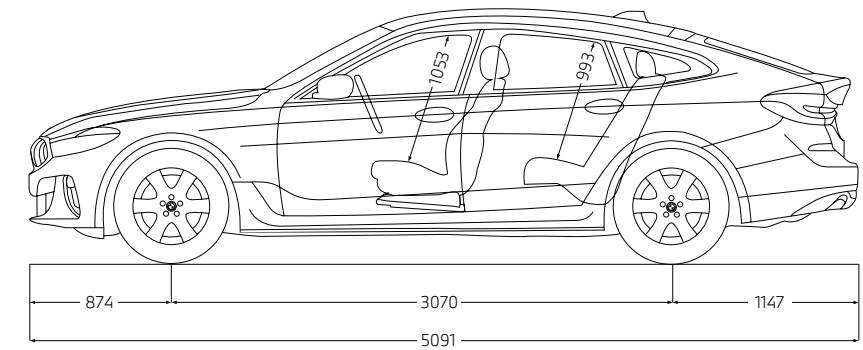
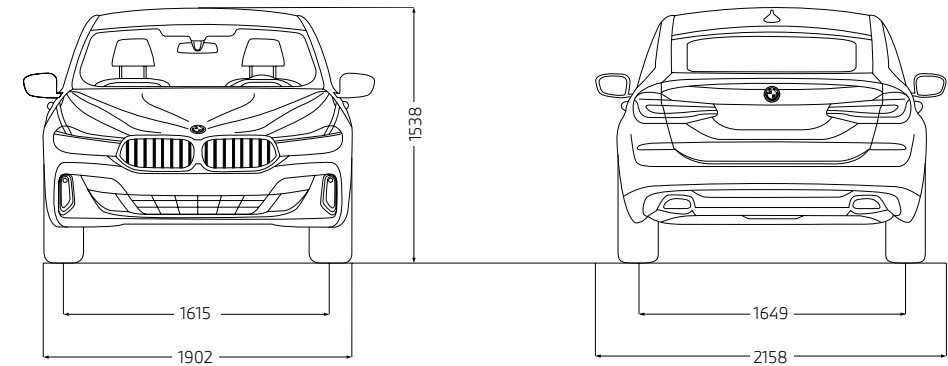
Fine-wood trim
'Fineline' Ridge with
highlight trim finisher
Pearl Chrome

Available with
630d M Sport



Fine-wood trim
'Fineline' Cove with
highlight trim finisher
Pearl Chrome

BMW 6 SERIES GRAN TURISMO		630i	620d	630d
BMW TwinPower Turbo engine				
Cylinders/valves	–	4/4	4/4	6/4
Capacity	cm ³	1998	1995	2993
Max. output/engine speed	kW (hp)/ l/min	190 (258)/ 5000	140 (190)/ 4000	195 (265)/ 4000
Max. torque/engine speed	Nm/ l/min	400/ 1550–4400	400/ 1750–2500	620/ 1500–2500
Power transmission				
Type of drive	–	Rear-wheel	Rear-wheel	Rear-wheel
Standard transmission	–	8-speed Steptronic	8-speed Steptronic	8-speed Steptronic
Performance				
Top speed ¹	km/h	250	220	250
Acceleration 0–100 km/h	s	6.5	7.9	6.1



¹ Electronically limited.

All dimensions in the technical drawing are given in millimetres.

BMW EXTENDED WARRANTY AND SERVICE PACKAGES.



Your BMW 6 Series Gran Turismo will run well when it's kept well. And to make your journey one with complete peace of mind, we have packages under BMW Service and Repair Inclusive that take care of maintenance, inspection, wear and tear and warranty.

BMW Service Inclusive (BSI)

A single up-front payment covers an extensive range of work on your BMW 6 Series Gran Turismo for a fixed period.

Complete Cost Control.¹

Integrate the cost of service work in your leasing and finance installments.

Fully Flexible.

You have a choice of various packages with different durations and mileage. You can choose from 3 years with 40,000 km to 10 years with 2,00,000 km.

Easily Transferable.

Consistent maintenance by trained BMW Certified Technicians and the use of Original BMW Parts secure the value of your car in the long term. In case you sell your car, BMW Service Inclusive is automatically transferred to the next owner – an additional selling point.

BMW Repair Inclusive (BRI)

BRI offers the ease of extending the warranty of your car with unlimited mileage up to 6 years. BRI too is automatically transferred to the next owner in the event of selling your car.

	Service Inclusive Packages	Service Inclusive Basic	Service Inclusive Plus	Repair Inclusive
		Maintenance All maintenance work, including any BMW Original Parts and oil required.	Wear and Tear Additional wear and tear repairs including any Original BMW Parts required.	Repair Extension of your statutory right to claim for vehicle defects (warranty).
Maintenance	Engine oil service	✓	✓	
	Engine oil top ups	✓	✓	
	Vehicle check and standard scopes	✓	✓	
	Service/replace air filter	✓	✓	
	Service/replace fuel filter	✓	✓	
	Service/replace micro filter	✓	✓	
	Service/replace spark plugs	✓	✓	
	Service/replace brake fluid	✓	✓	
Wear & Tear	Replacement of front/rear brake pads		✓	
	Replacement of front/rear brake discs		✓	
	Replacement of clutch (if necessary)		✓	
	Replacement of wiper blades (once in a year)		✓	
	Extension of your statutory right to claim for vehicle defects (warranty)			✓

BMW FINANCIAL SERVICES.

BMW Financial Services
Realize the dream.



In the world of BMW, world-class isn't limited to the vehicles we engineer. It also finds its way into the services we offer. BMW Financial Services is the most flexible and efficient way to realise your dream of owning a BMW. Our goal is to make your financing experience seamless at every step of your purchase so that nothing comes between you and the joy of driving your BMW.

At BMW Financial Services, you are assured of:

- Tailor-made finance options, as per your specific needs
- Quick approvals with fast turnaround time
- Special loyalty benefits
- Part payment facility
- In-house call centre that provides the best-in-class customer interaction

The BMW 6 Series Gran Turismo comes with an exclusive BMW 360° Plan. It has benefits at every step of the way, all to ensure Sheer Driving Pleasure.

Easy to Buy.

The BMW 360° Plan allows you to pay low monthly installments as you only pay for what you use.

Easy to Own.

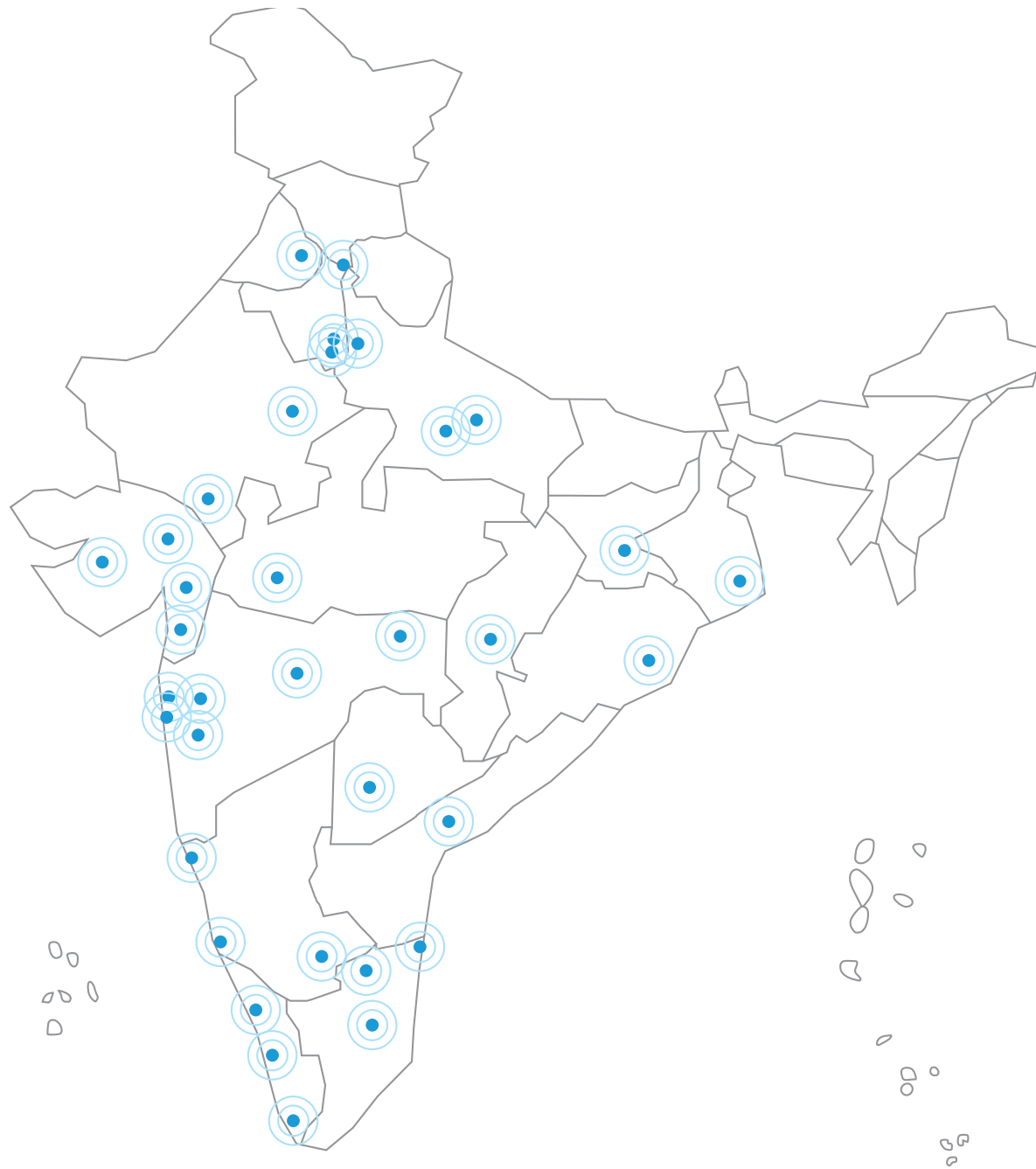
BMW offers various options under Service and Maintenance Packages which further reduce your cost of ownership.

Future Proof.

The BMW 360° Plan provides Assured Buyback value at the end of your finance contract.

For more information, contact the Finance and Insurance Manager at the nearest BMW Authorised Dealership.

¹ Applicable only with BMW India Financial Services Private Limited during the initial purchase of the vehicle (not on other finance or during upgrades).



The pictorial representation does not purport to be the political map of India.

NORTH

BMW Bird Automotive

- SW 4IDC, MG Road, Gurugram
- S Golf Course Road, Sector 56 Gurugram

BMW Deutsche Motoren

- S Mohan Cooperative, Mathura Road New Delhi
- W Shivaji Marg, Moti Nagar, New Delhi
- SW Sector 27B, Mathura Road, Faridabad
- SW Sector 63, Noida

BMW Infinity Cars

- S Rajouri Garden, New Delhi
- W Mayapuri, New Delhi

BMW Krishna Automobiles

- SW Industrial Phase 1, Chandigarh
- SW GT Road, Ludhiana

BMW Sanghi Classic

- SW Tonk Road, Jaipur
- S Madri Industrial Area, Udaipur

BMW Speed Motorwagen

- SW Chinhat, Lucknow
- SW Kalpi Road, Kanpur

EAST

BMW OSL Prestige

- S Silver Arcade, Kolkata
- W East Topsia Road, Kolkata
- SW Bhanpur, Cuttack

BMW Titanium Autos

- SW Ormanjhi, Ranchi

WEST

BMW Bavaria Motors

- S Wellesley Road, Pune
- W Hadapsar, Pune
- SW Verna, Goa
- SW Chikalthana, Aurangabad

BMW Eminent Cars

- SW Surat-Dumas Road, Piplod, Surat
- SW Sunpharma Road, Vadodara

BMW Gallops Autohaus

- SW S G Highway, Sarkhej, Ahmedabad
- SW Gondal Road, Rajkot

BMW Infinity Cars

- S Worli, Mumbai
- S Nariman Point, Mumbai
- S Vashi, Navi Mumbai
- W Lalbaug, Mumbai
- W Worli, Mumbai
- W Turbhe, Navi Mumbai
- SW Dewas Naka, Indore

BMW Munich Motors

- SW Sarona, Raipur
- S Hingna MIDC, Nagpur

BMW Navnit Motors

- S Juhu, Mumbai
- S Malad, Mumbai
- W Andheri, Mumbai
- W Gokul Nagar, Thane

SOUTH

BMW Deutsche Motoren

- S Whitefield, Bengaluru
- W Whitefield, Bengaluru

BMW EVM Autokraft

- SW Kalamassery, Kochi
- S Kovalam Road, Trivandrum
- W Kochuveli, Trivandrum

BMW KUN Exclusive

- S Khairtabad, Hyderabad
- S Jubilee Hill, Hyderabad
- W RTC, Cross Road, Hyderabad
- SW Mangalagiri, Vijayawada

BMW KUN Exclusive

- SW Meenambakkam, Chennai
- S EA Mall, Chennai
- S Ambattur, Chennai
- S OMR, Chennai
- W Ambattur, Chennai
- SW Avinashi Road, Coimbatore
- SW Virudhunagar, Madurai

BMW Navnit Motors

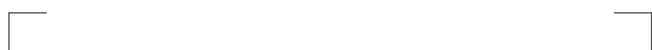
- S Lavelle Road, Bengaluru
- W Bethahalasoor Post, Bengaluru
- SW Hosur Road, Bengaluru

SW Showroom and Workshop S Showroom W Workshop

SEARCH



Scan to visit the BMW Online Shop



For more information, call 1800 102 2269.

The models, equipment and possible vehicle configurations illustrated in this brochure may differ from vehicles supplied in the Indian market. For precise information, please contact your local Authorised BMW Dealer. Subject to change in design and equipment. © BMW India Pvt. Ltd., Gurgaon, India. Not to be reproduced wholly or in part without written permission of BMW India Pvt. Ltd., Gurgaon, India.